

# Balancer

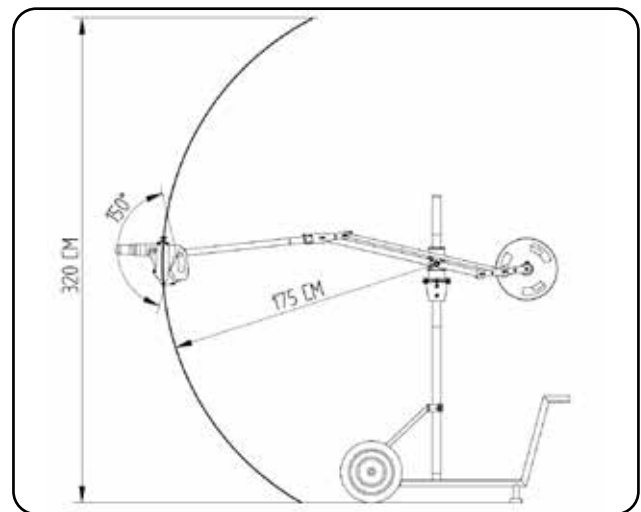
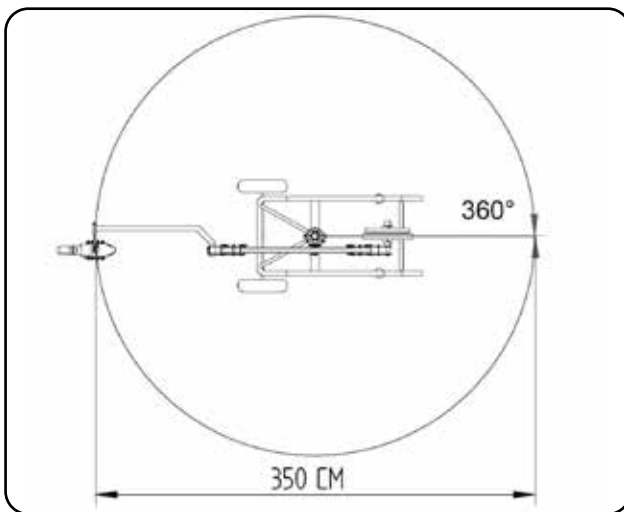


# Balancer

## Characteristics:

- Tools almost weightless through intelligent balance system
- Hand-arm vibrations strongly reduced when using percussive tools
- Minimize impact on operators body when working with heavy tools in awkward positions
- Allows operator to work longer without having to rest, resulting in greater output
- Mobile system without any use of Electricity/Hydraulics/Air/Diesel

**Get more work done with less effort.**



## Specifications

Weight on foot stand (excl. weights and tool)	Kg	54
Weight on cart (excl. weights and tool)	Kg	70
Rotation	Degrees	360
Width cart	Cm	80
Height incl. post (post can be removed for transport)	Cm	180

